

HOME PHILOSOPHY
visionnaire

R A D I C A



R A D I C A

Radica is a project that offers new perspectives and gives us the chance to interpret once again some of Visionnaire's most beloved products with a timeless allure.

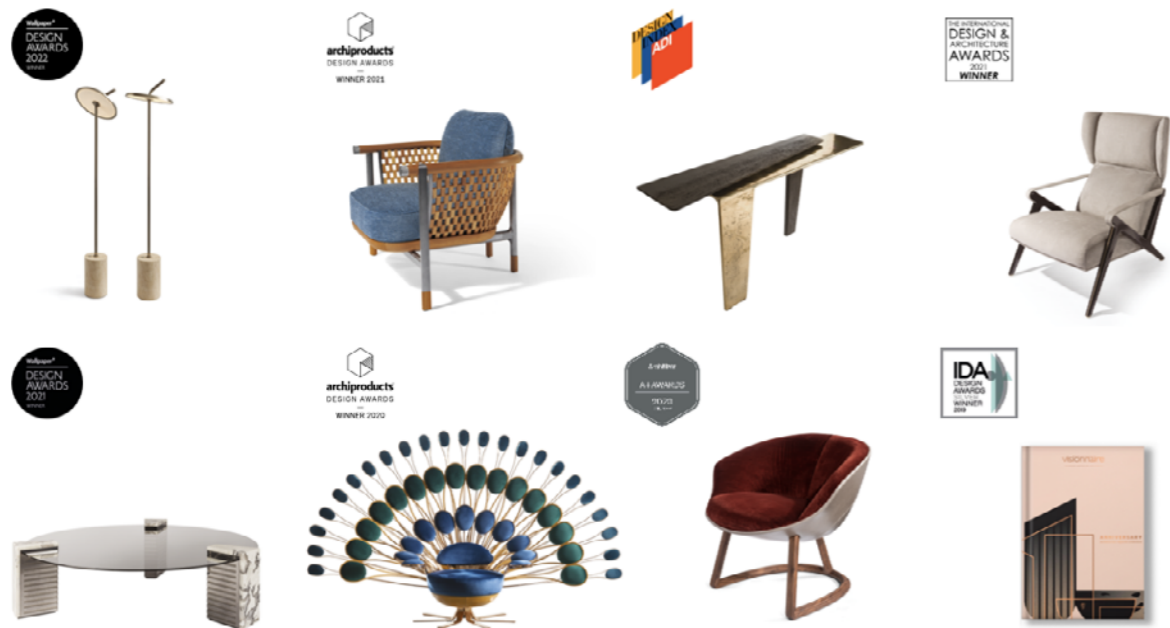
The walnut briar-root, coming from Erica Arborea, is the protagonist of the capsule thanks to the preciousness of its multiple veins and natural designs, which characterize it and which make each insert a unique piece.

The manufacturing process of the briar-root is extremely sophisticated and gives even more value to the end product.

The briars are first squared and then cooked in steel tanks. The cut is made through a machine with a fixed blade, around which the briar wood is rotated. In this way, thin sheets are obtained. They are then pressed, carefully cut, latched and joined.

The cutting of the material is carried out carefully so that the seams' sheets are practically invisible.

Measurement and joining are performed according to customer specifications.



AWARDS



COMPANY PROFILE

Visionnaire, fondato dalla casa madre IPE con sede a Bologna dal 1959, è un brand meta-lusso di riferimento nel settore dell'interior design Made in Italy, amato per la capacità progettuale one-of-a-kind cucita sui desideri dei propri clienti. Il brand opera in più di 55 paesi con una presenza di oltre 30 store monomarca e una rete di department store e multimarca in tutto il mondo. Dal 2004 Visionnaire ha dato vita ad uno stile distintivo, caratterizzato da una vivace sperimentazione sui materiali, volumi dall'equilibrio inaspettato e motivi inconfondibili che celebrano le origini tutte italiane della maison. Grazie alla collaborazione di un team di designer eclettici e visionari, italiani e stranieri, si pone come partner ideale per proposte di bespoke in contesti residenziali e contract, nell'hotellerie di lusso così come nel settore yachting ed aviazione. Il brand basa la propria attività sul valore della conoscenza e la continua ricerca del concetto di bellezza contemporanea, si conferma come artefice di progetti e prodotti di design di altissima sartoria, incentivando e valorizzando le produzioni delle maestranze artigianali locali, presenti sul territorio italiano.

Società Benefit dal 2021, Visionnaire definisce il proprio business come promotore di valore positivo per la comunità ed intende perseguire, nell'esercizio dell'attività economica, uno o più effetti positivi - o ridurre gli effetti negativi - nei confronti di persone, comunità, territori ed ambiente.

Visionnaire, founded by the company IPE, based in Bologna since 1959, is a meta-luxury brand of reference in the sector of interior design Made in Italy, renowned for its one-of-a-kind design prowess tailored to respond to the desires of its clients. The brand operates in over 55 countries, thanks to over 30 exclusive monobrand stores and a network of department store and multibrand showrooms all over the world. Since 2004 Visionnaire has formulated a distinctive style, based on lively experimentation on materials, volumes of unexpected poise and inimitable motifs that reveal the totally Italian background of the company. Thanks to collaboration with a team of eclectic, visionary Italian and foreign designers, the company is an ideal partner for bespoke proposals in residential and contract applications, luxury hotellerie, as well as the yachting and aviation sectors. The brand bases its activity on the value of knowledge and continuing research on the concept of contemporary beauty, confirming its exceptional ability to create design projects and products of outstanding sartorial workmanship, fostering and restoring value to the skills of local artisans located across the Italian territory.

Benefit company from 2021, Visionnaire defines its business as a promoter of positive value for the community and intends to pursue, in the exercise of economic activity, one or more positive effects - or reduce negative effects - towards people, communities, territories and environment.

SOFAS

ANTHEM **8-9**
BACKSTAGE **14-15**
FITZGERALD **20-21**
FREYR **24-25**

ARMCHAIRS

ADELE **28-29**
BACKSTAGE **32-33**
ROSEMARY **36-37**

CHAIRS

CLOUD **40-41**
JERA **44-45**
PALMYRA **48-49**

BEDS

REVERIE **52-53**

DINING TABLES

JASON **56-57**
KERWAN **60-61**

LOW TABLES

CYBORG **64-65**
FITZGERALD **68-69**
MINSTREL **72-73**

CONSOLES

EKOS **76-77**
VINCENT **80-81**

LOW UNITS

DESMOND **84-85**
LEONARDO **88-89**
PARKER **92-93**

BAR CABINETS

PALAWAN **96-97**

VANITY UNITS

WESTLEY **100-101**

WRITING DESKS

JET PLANE **104-105**

LIGHTINGS

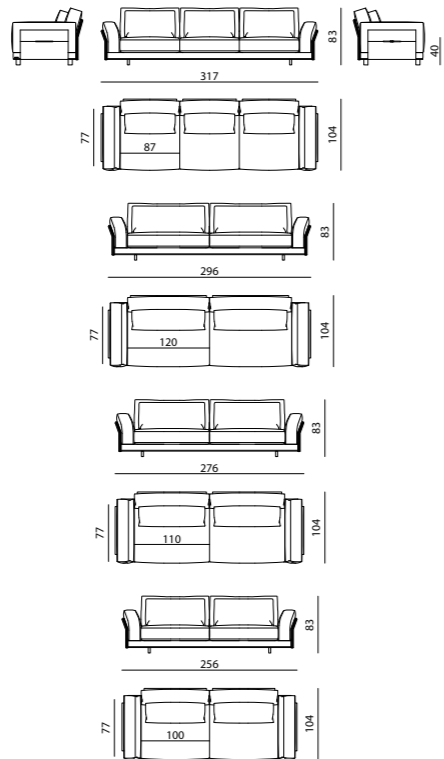
JASPER **108-109**



ANTHEM

SOFA





ANTHEM

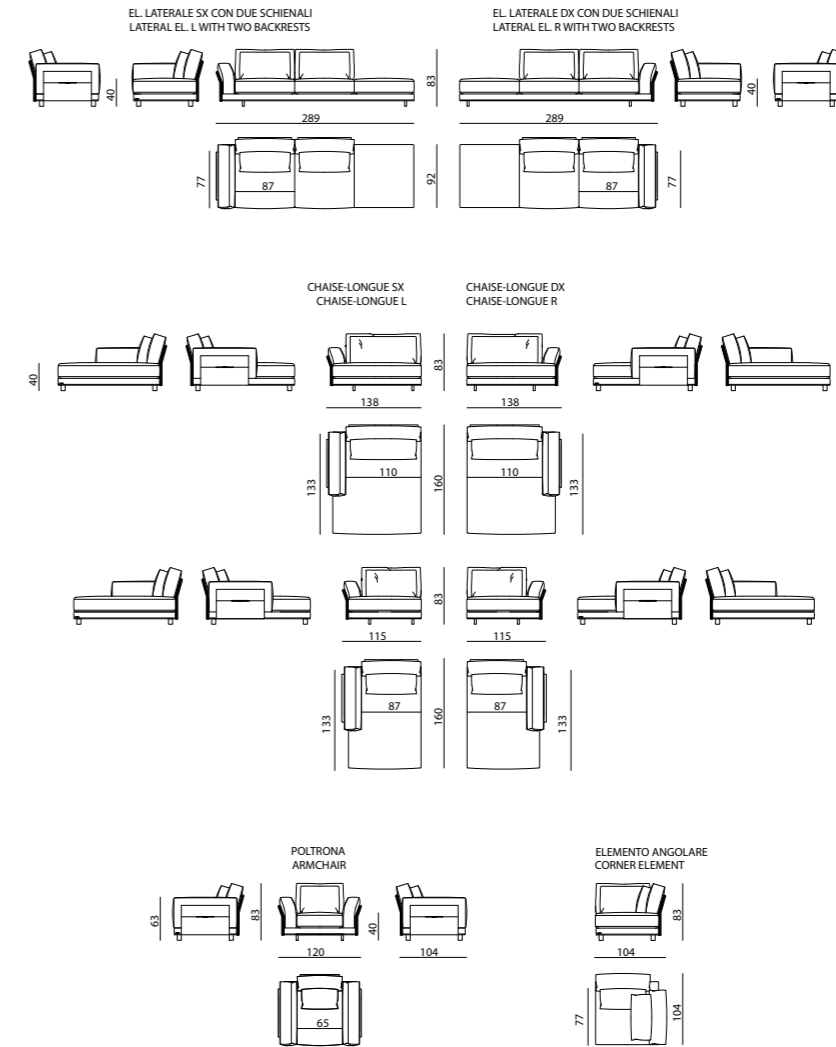
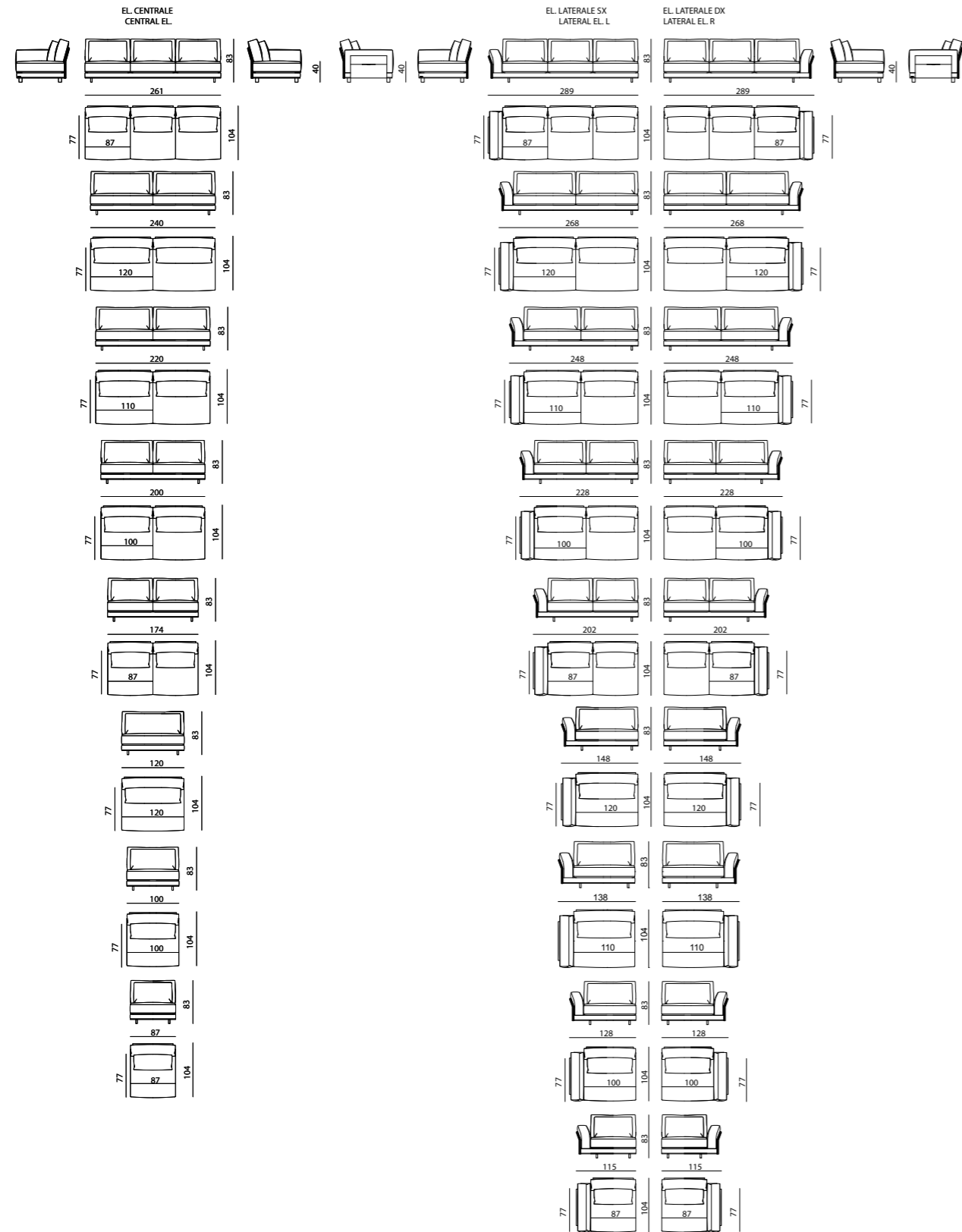
RADICA VERSION

TECHNICAL DRAWINGS

Divano, elementi componibili, chaise-longue, poltrona
Sofa, modular elements, chaise longue, armchair

Design
Fabio Bonfà

●
[click here](#)



BACKSTAGE

S O F A



BACKSTAGE

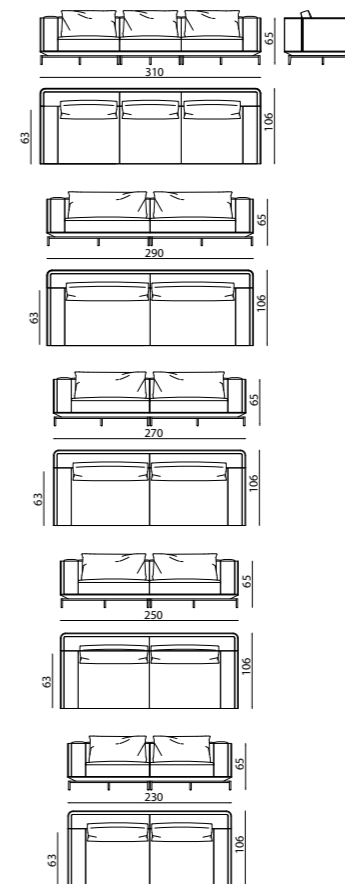
RADICA VERSION

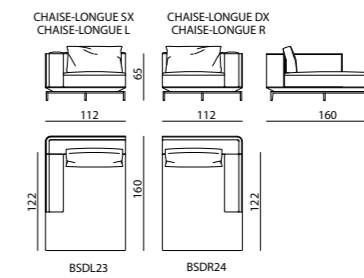
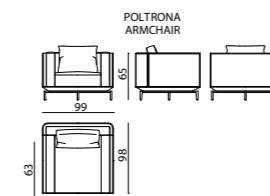
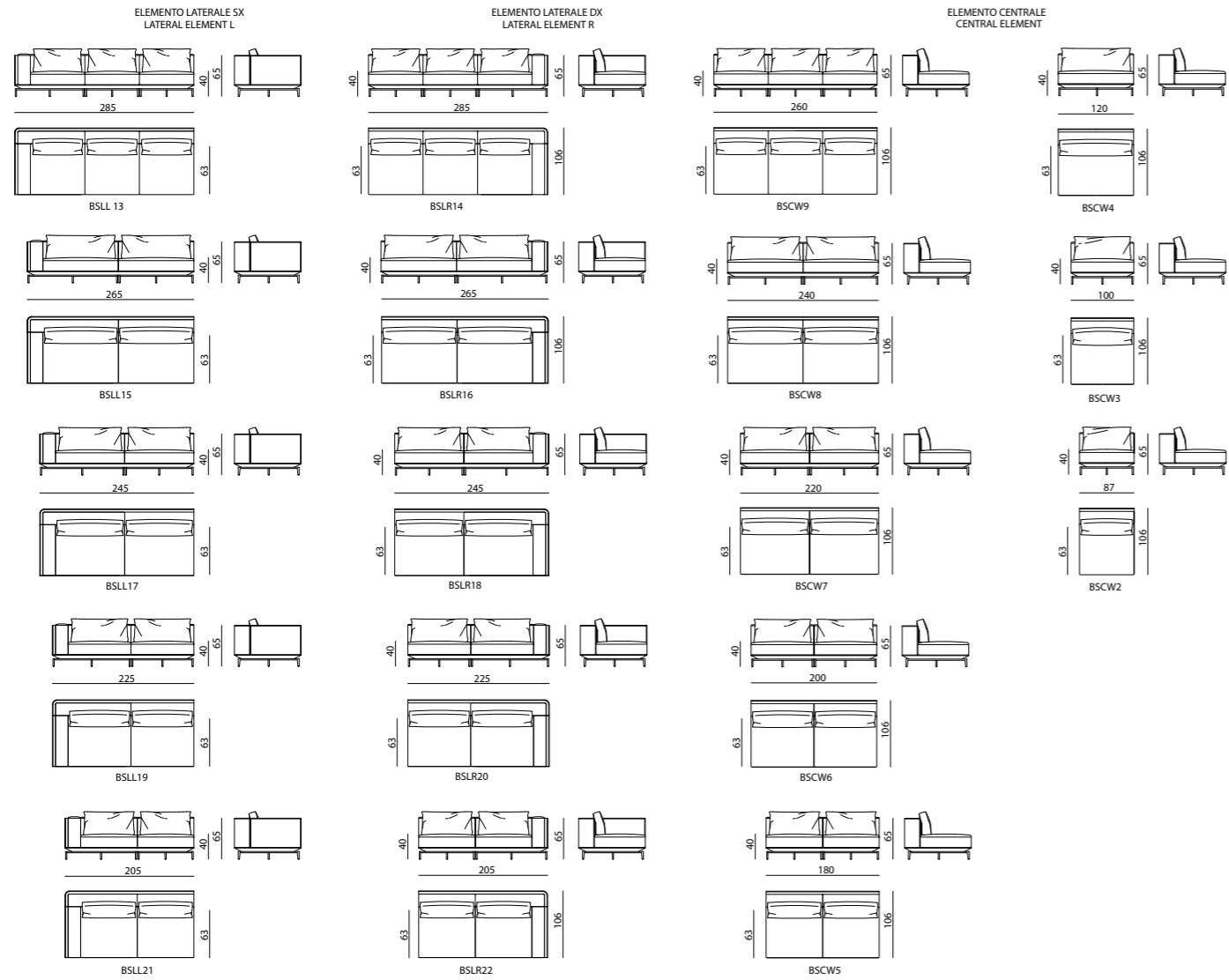
TECHNICAL DRAWINGS

Divano, elementi componibili, poltrona
Sofa, modular elements, armchair

Design
Fabio Bonfà

●
click here

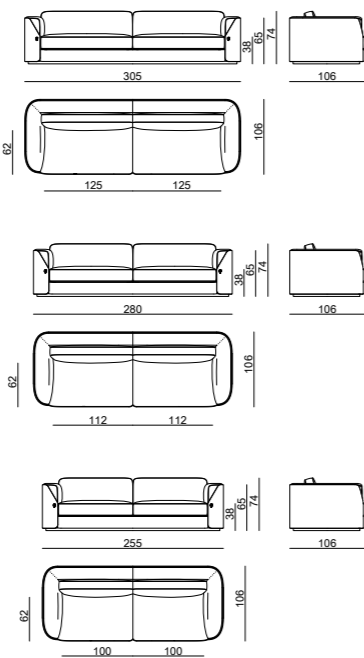




FITZGERALD

SOFA





FITZGERALD

RADICA VERSION

TECHNICAL DRAWINGS

Divano
Sofa

Design
La Conca

●
click here

FREYR
SOFA



FREYR

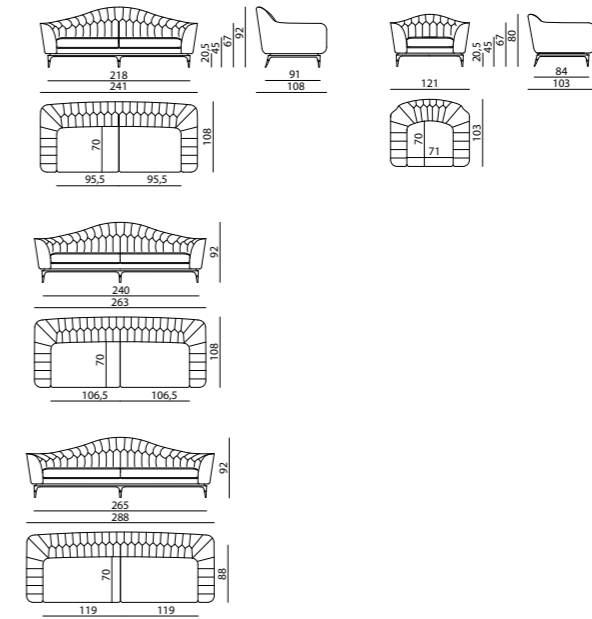
RADICA VERSION

TECHNICAL DRAWINGS

Divano, poltrona
Sofa, armchair

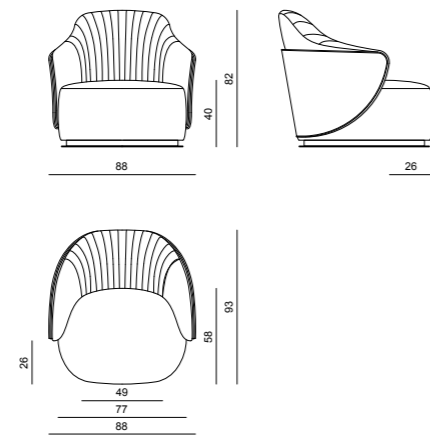
Design
Steve Leung

●
click here





ADELE
ARMCHAIR



ADELE

RADICA VERSION

TECHNICAL DRAWINGS

Poltrona
Armchair

Design
Marco Piva

●
[click here](#)

BACKSTAGE

ARMCHAIR



BACKSTAGE

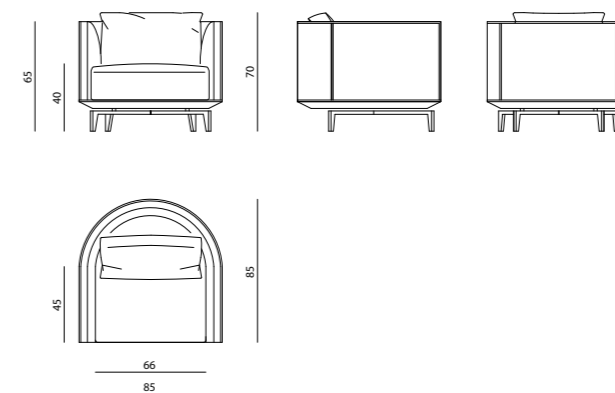
RADICA VERSION

TECHNICAL DRAWINGS

Poltrona
Armchair

Design
Fabio Bonfà

●
[click here](#)

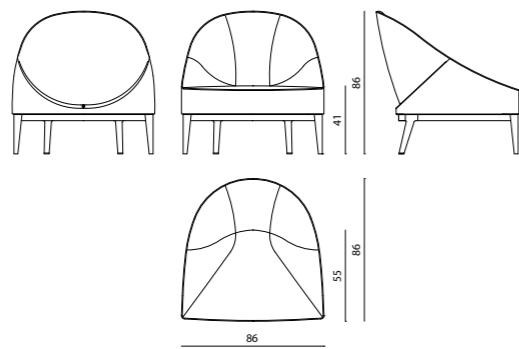




ROSEMARY

ARMCHAIR





ROSEMARY

RADICA VERSION

TECHNICAL DRAWINGS

Poltrona
Armchair

Design
Alessandro La Spada



[click here](#)

CLOUD
CHAIR



CLOUD

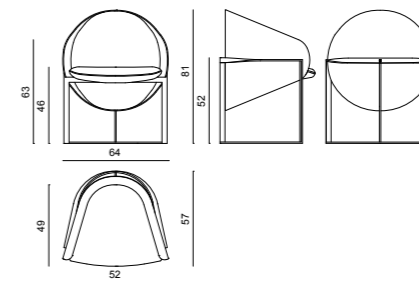
RADICA VERSION

TECHNICAL DRAWINGS

Sedia
Chair

Design
Alessandro La Spada

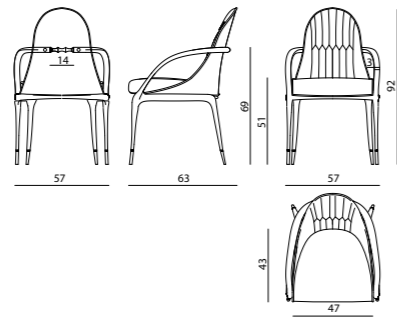
●
[click here](#)





JERA
CHAIR





JERA

RADICA VERSION

TECHNICAL DRAWINGS

Sedia imbottita
Padded chair

Design
Steve Leung



[click here](#)

PALMYRA
CHAIR



PALMYRA

RADICA VERSION

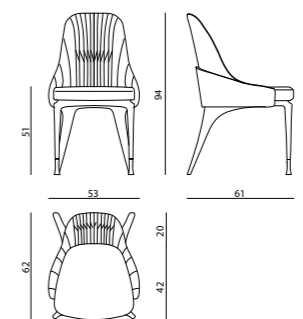
TECHNICAL DRAWINGS

Sedia
Chair

Design
Steve Leung



[click here](#)

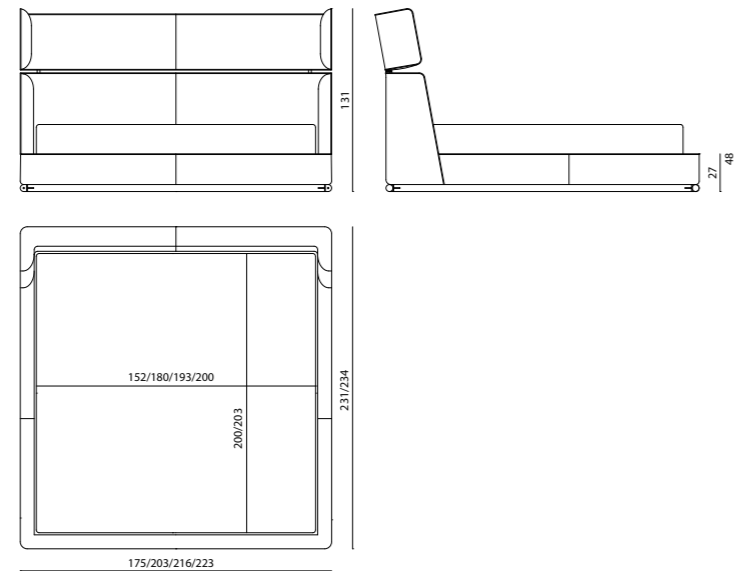




RÊVERIE

BED





RÊVERIE

RADICA VERSION

TECHNICAL DRAWINGS

Letto
Bed

Design
Roberto Lazzeroni

●
click here

JASON
DINING TABLE



JASON

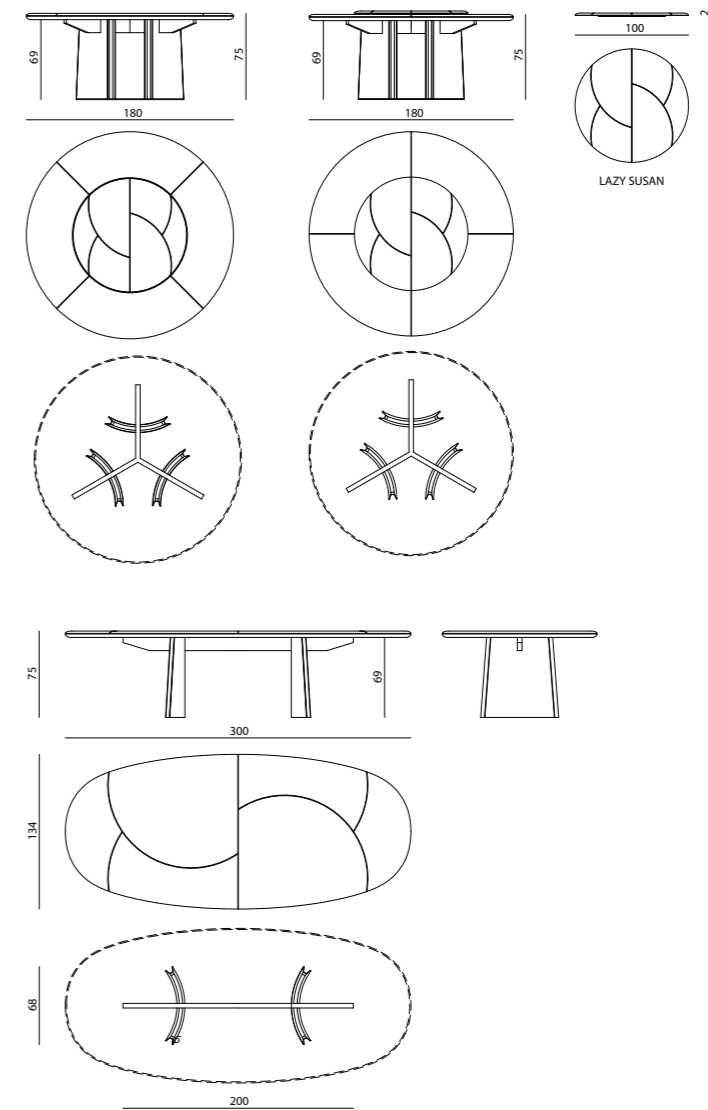
RADICA VERSION

TECHNICAL DRAWINGS

Tavolo da pranzo
Dining table

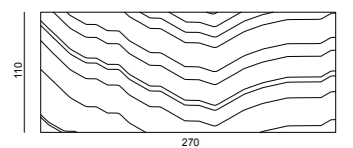
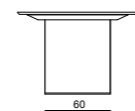
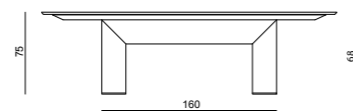
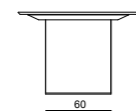
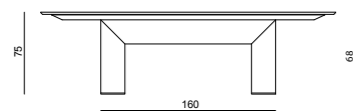
Design
Roberto Lazzeroni

●
[click here](#)

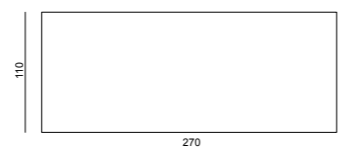




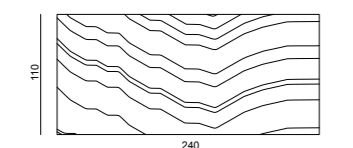
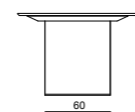
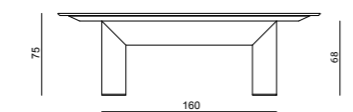
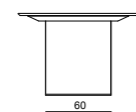
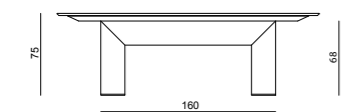
KERWAN
DINING TABLE



VERSIONE TOP IN MARMO E BASI IN RADICA
MARBLE TOP AND BASE IN RADICA VERSION



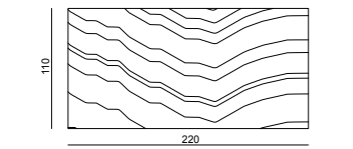
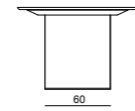
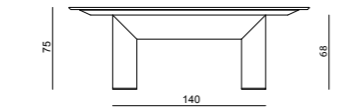
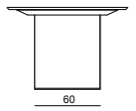
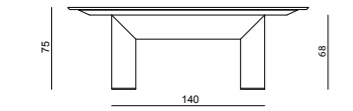
VERSIONE IN RADICA
RADICA VERSION



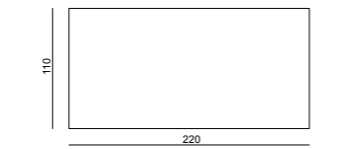
VERSIONE TOP IN MARMO E BASI IN RADICA
MARBLE TOP AND BASE IN RADICA VERSION



VERSIONE IN RADICA
RADICA VERSION



VERSIONE TOP IN MARMO E BASI IN RADICA
MARBLE TOP AND BASE IN RADICA VERSION



VERSIONE IN RADICA
RADICA VERSION

KERWAN

RADICA VERSION

TECHNICAL DRAWINGS

Tavolo da pranzo
Dining table

Design
Alessandro La Spada

●
click here

CYBORG
LOW TABLE



CYBORG

RADICA VERSION

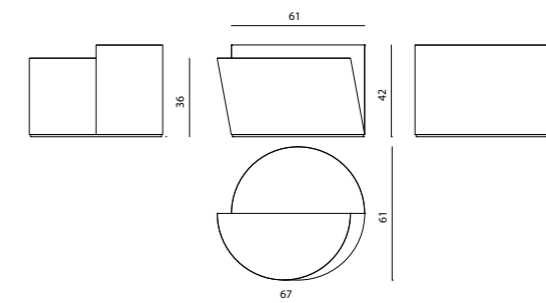
TECHNICAL DRAWINGS

Tavolo basso
Low table

Design
Alessandro La Spada

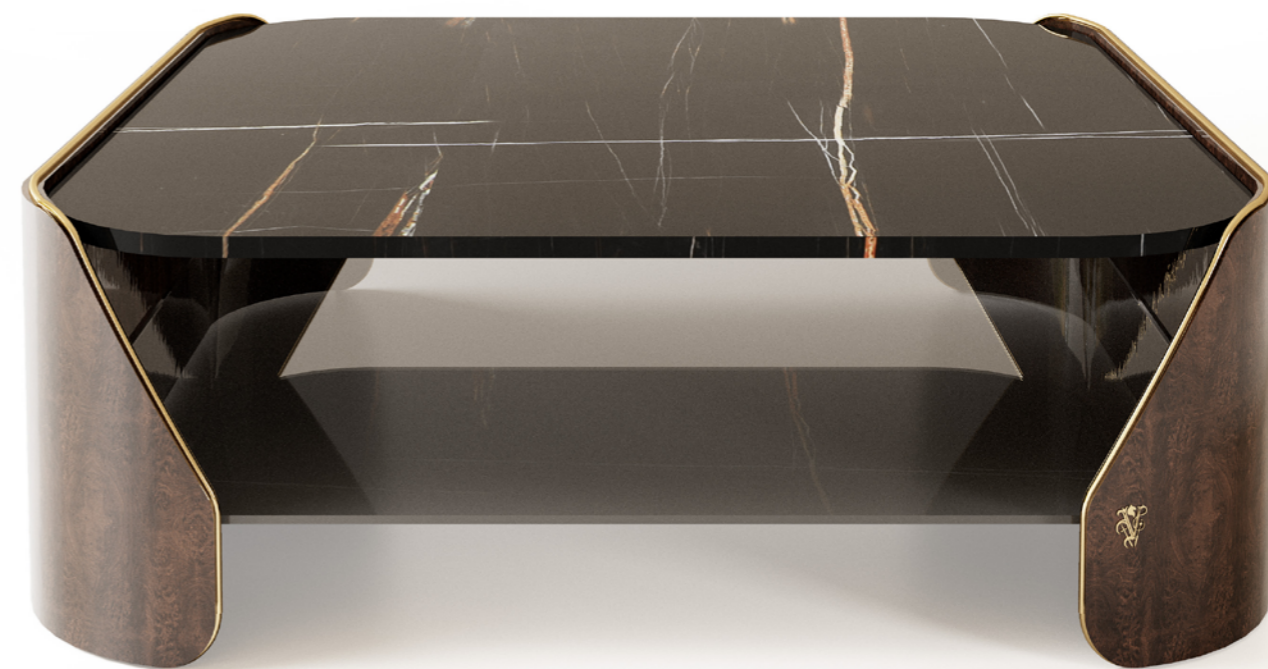


[click here](#)



FITZGERALD

LOW TABLE



FITZGERALD

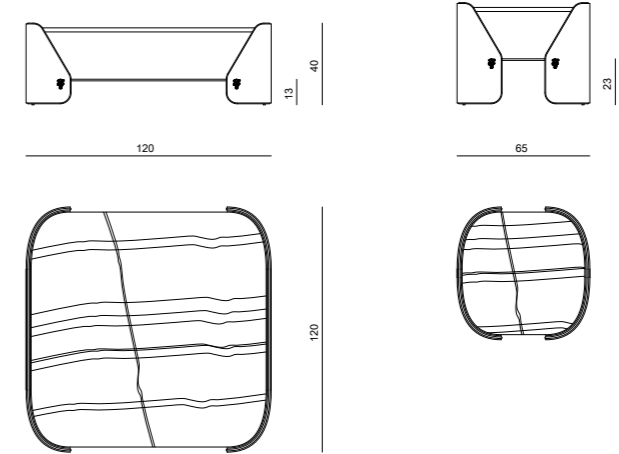
RADICA VERSION

TECHNICAL DRAWINGS

Tavolo basso
Low table

Design
La Conca

●
[click here](#)





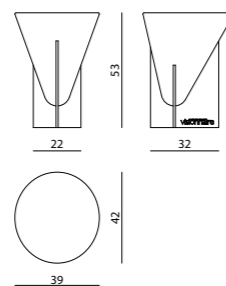
MINSTREL

LOW TABLE

MINSTREL

RADICA VERSION

TECHNICAL DRAWINGS



Tavolino
Coffee table

Design
Alessandro La Spada



[click here](#)

EKOS
CONSOLE



EKOS

RADICA VERSION

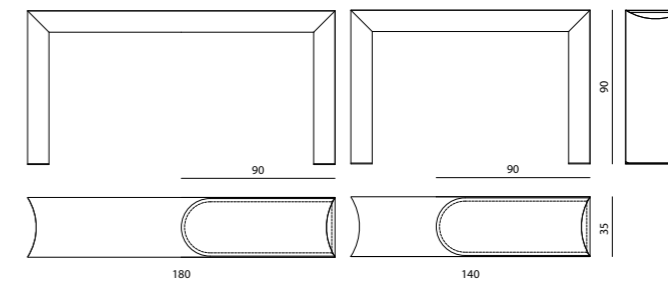
TECHNICAL DRAWINGS

Consolle
Console

Design
Alessandro La Spada



[click here](#)

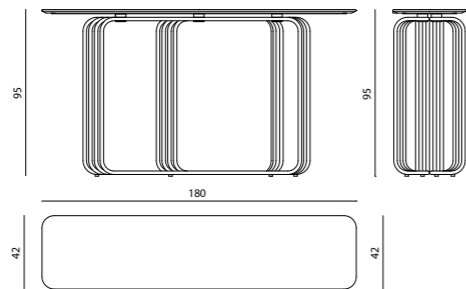




VINCENT

CONSOLE





VINCENT

RADICA VERSION

TECHNICAL DRAWINGS

Consolle
Console

Design
Alessandro La Spada



[click here](#)

DESMOND

LOW UNIT



DESMOND

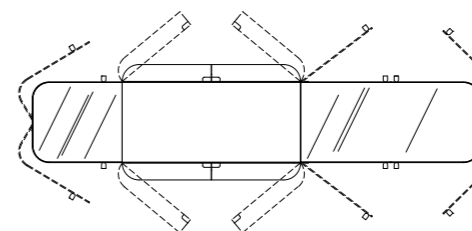
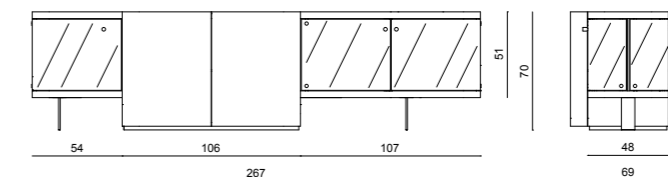
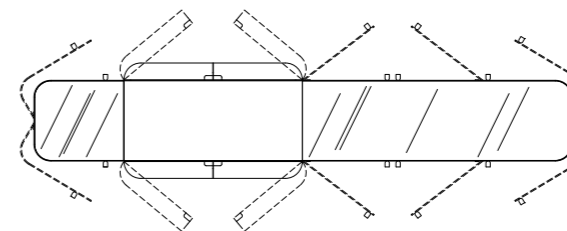
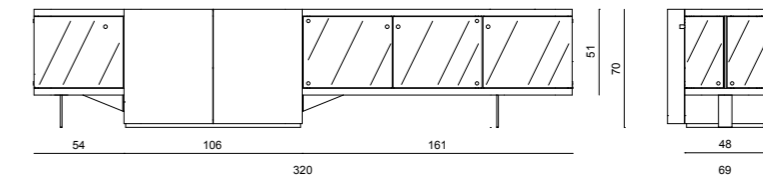
RADICA VERSION

TECHNICAL DRAWINGS

Mobile basso
Low unit

Design
Mauro Lipparini

●
click here

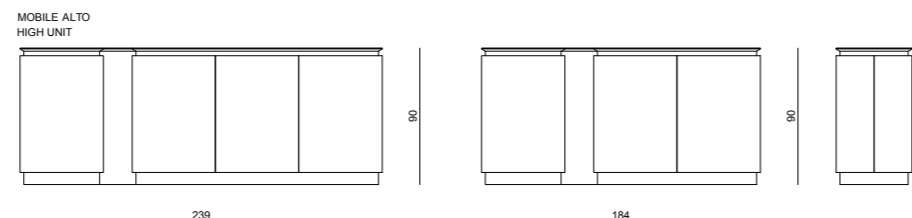
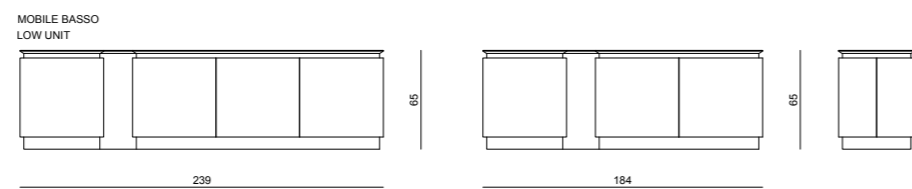
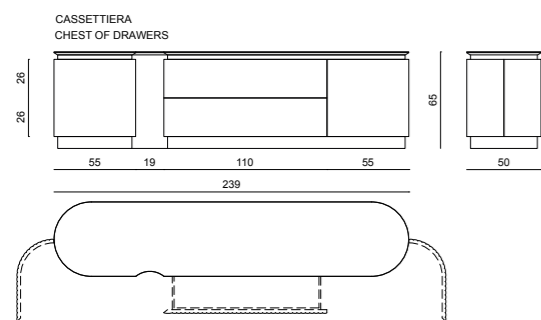




LEONARDO

CHEST OF DRAWERS - CABINETS





LEONARDO

RADICA VERSION

TECHNICAL DRAWINGS

Cassettiera, mobile basso, mobile alto
Chest of drawers, low unit, high unit

Design
Alessandro La Spada

●
click here

PARKER
LOW UNIT



PARKER

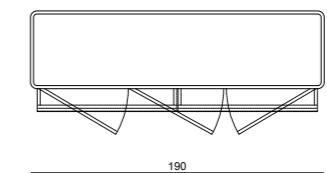
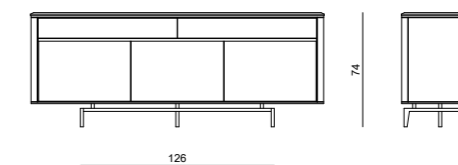
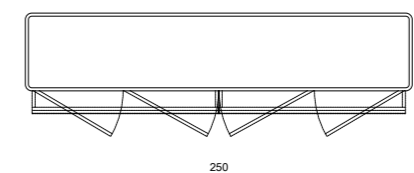
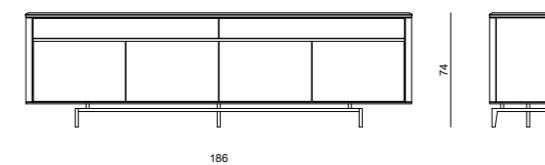
RADICA VERSION

TECHNICAL DRAWINGS

Mobile basso
Low unit

Design
Fabio Bonfà

●
[click here](#)

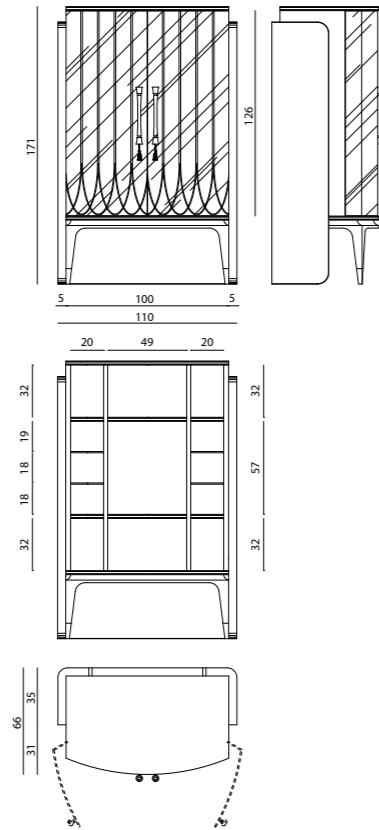




PALAWAN

BAR CABINET





PALAWAN

RADICA VERSION

TECHNICAL DRAWINGS

Mobile bar
Bar cabinet

Design
Steve Leung

●
[click here](#)

WESTLEY
VANITY UNIT



WESTLEY

RADICA VERSION

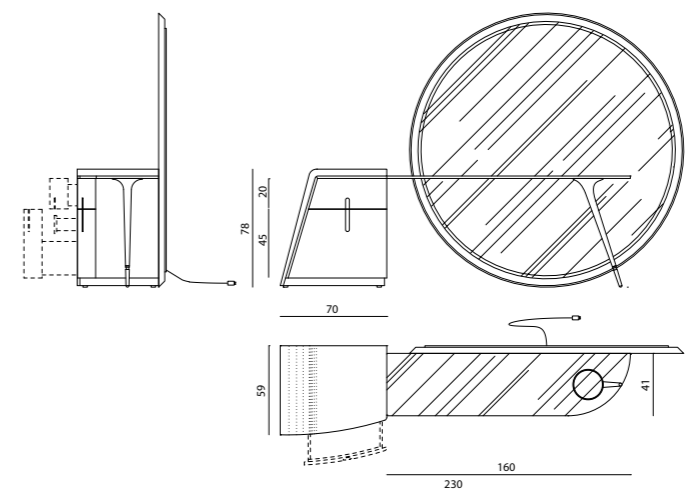
TECHNICAL DRAWINGS

Mobile trucco
Make-up unit

Design
Steve Leung



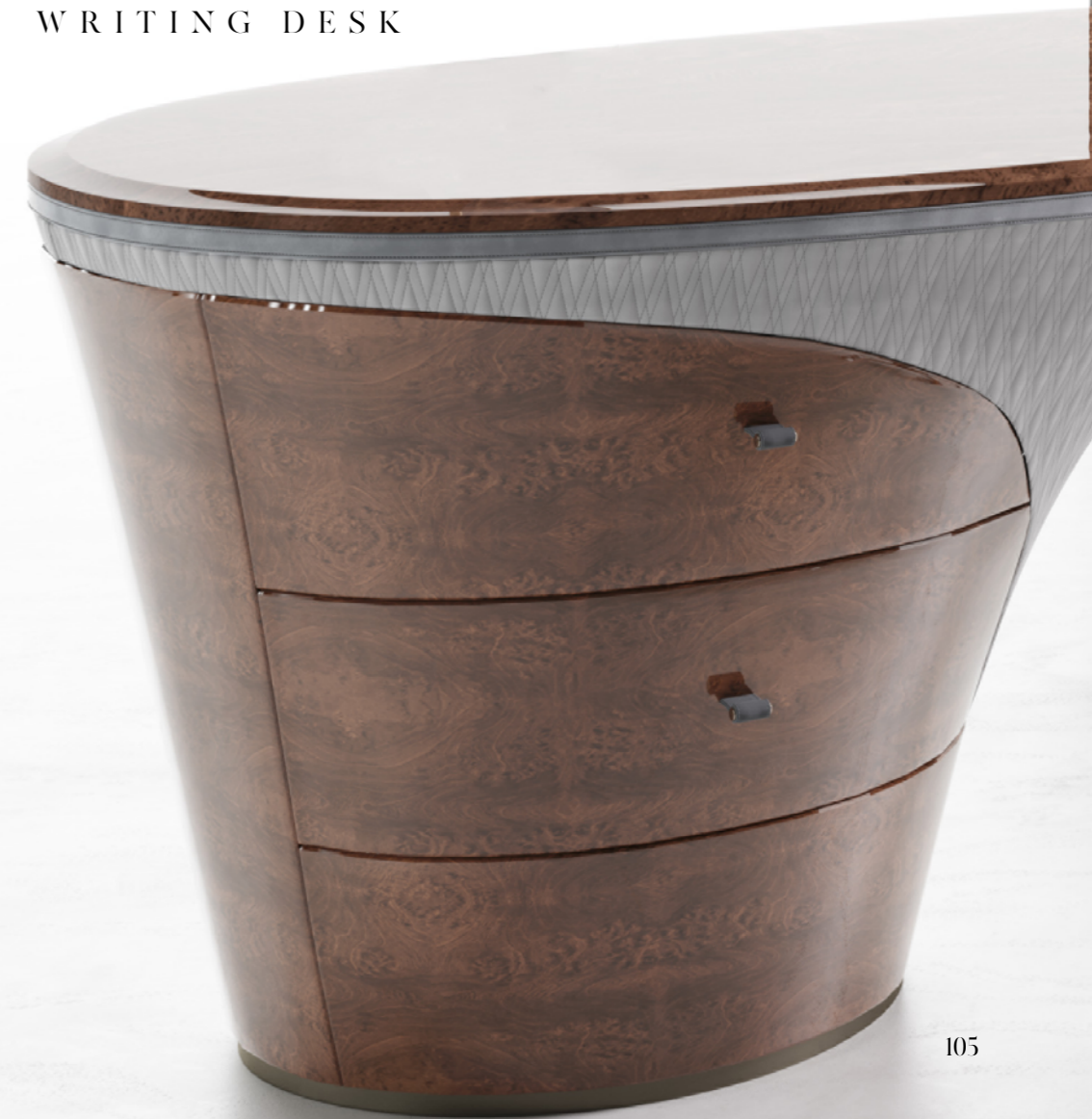
[click here](#)

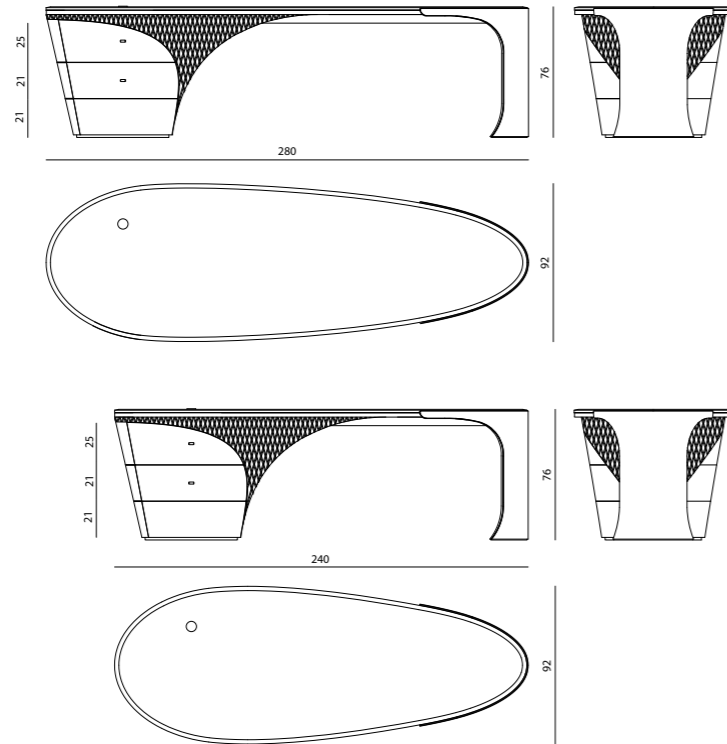




JET PLANE

WRITING DESK





JET PLANE

RADICA VERSION

TECHNICAL DRAWINGS

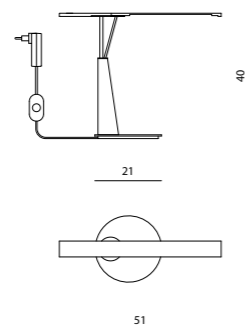
Scrivania
Writing desk

Design
Steve Leung

●
[click here](#)



JASPER
TABLE LAMP



JASPER

RADICA VERSION

TECHNICAL DRAWINGS

Lampada da tavolo
Table lamp

Design
Fabio Bonfà

●
[click here](#)



1959-2019

IPE | VISIONNAIRE
ANNIVERSARY

The year 2019 was one of anniversaries for IPE-Visionnaire: the mother company IPE celebrated the 60th anniversary, while Visionnaire, its exclusive brand, its 15th birthday.



Produced by
©IPE SRL
ALL RIGHTS RESERVED

Visionnaire Logo, catalogue and advertising images are sole propriety of IPE srl, hencefort any use of the logo or adaptation of images is strictly forbidden without IPE srl prior approval; nonetheless, in any case the images must be used in such a way that there is no reasonable doubt that those belong to IPE srl and refer to IPE srl products. No part of this publication can be reproduced or transmitted in any form or by any means, both electronic or mechanical, including photocopying and recording, or via any information storage and retrieval system, without written permission of the publisher.

Made in Italy | March 2022

Art Director Eleonore Cavalli

*Creativity, sustainability and meta-luxury.
Visionnaire green-hearted re-evolution hits also the production of this catalogue, in which the long standing value of the company for made-in-Italy melts with the concept of green consciousness. The catalogue is printed on paper obtained from responsibly managed sources.*

I.P.E. S.r.l.
Via Mattei 1 - 40069 Zola Predosa (Bo) Italy
tel. +39 051 6186311 - fax +39 051 6186310
www.visionnaire-home.com
ipe@ipe.it

Certificazioni relative a I.P.E. S.r.l.



The mark of
responsible forestry



Prodotti certificati FSC™ su richiesta



